

# SHERWOOD Sea Water Strainers

## Durable Non-Corrosive Strainers provide an excellent filtration for fresh and salt water applications.

Sherwood Sea Water strainers are designed to deliver full flow of liquid at ultra low pressure differential while providing effective filtration of foreign matter in supply line. Convenient ports feature stainless steel ferrule reinforcements. Strainer cap and bowl are connected by rugged National Buttress Threads (NBT). Buna-N gasket forms a tight fluid seal against bowl leakage.

Cleaning is accomplished easily without removing strainer from lines. Simply unscrew lower bowl from cap and lift out screen. Flush sediment from mesh with water and replace screen by first fitting to flange in cap. Align gasket to assure proper seal before tightening bowl. Replace gasket if it is cut or showing excessive wear. Turning bowl hand tight provides sufficient seal against cap. Clean strainers regularly for best system performance.

### FEATURES:

#### ADDED FILTRATION.

Stainless steel screen provides a large ratio of screen area to port size.

#### NON-CORROSIVE CONSTRUCTION.

Nylon cap, polyamide bowl, stainless steel screen provides maximum protection against electrolysis.

#### EASY TO CLEAN.

Clear bowl enables quick

examination for cleaning without removing the strainer from the line.

#### LIGHTWEIGHT MOUNT.

Offers simple in line mounting and eliminates the need for supporting brackets

*Strainer should be mounted away from areas subjected to high engine heat transfer. Use available mounting bracket to position strainer away from engine for easy access.*



*This illustration shows how flow is channeled uniformly through the screen in Sherwood line strainers.*

*Sediments are trapped inside screen with ample open screen area to minimize clogging of the strainer.*



### MOUNTING BRACKETS FOR LINE STRAINERS

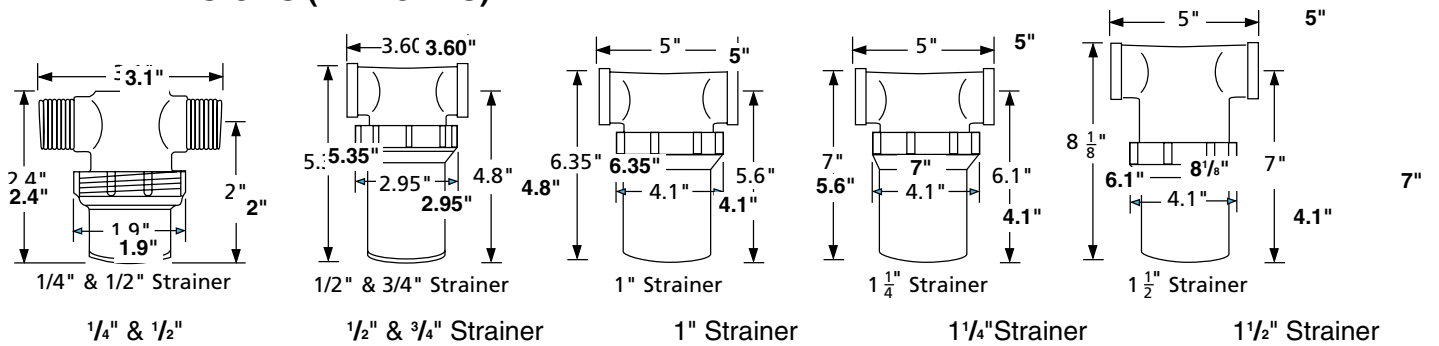
Brackets provide a sturdy mounting harness for Sherwood Line Strainers. Unique design enables easy trouble-free assembly without further use of clamps and brackets. Does not effect quick cleaning ability of strainer bowl.

Model No.	Port Size	Screen Mesh
13227	1/4" ID 1/2" OD	20 Mesh Stainless Steel
15935	1/2" (F)	20 Mesh Stainless Steel
18001	3/4" (F)	20 Mesh Stainless Steel
18005	1" (F)	20 Mesh Stainless Steel
18016	1 1/4" (F)	20 Mesh Stainless Steel
18029	1 1/2" (F)	20 Mesh Stainless Steel

Bracket #	Fits –
14240	3/4" Strainers
14239	1" Strainers
14238	1 1/4" Strainers
21930	1 1/2" Strainers

STRAINER COMPONENTS		
SHERWOOD #	DESCRIPTION	STRAINER SIZE
11800	Cap	1"
11801	Cap	3/4"
11802	Cap	1/2"
11803	Oring-BunaN	1", 1-1/4", 1-1/2"
11804	Oring-Viton	1", 1-1/4"
11805	Oring-BunaN	1/2", 3/4"
11806	Oring-Viton	1/2", 3/4"
11807	Screen-20 mesh	1"
11808	Screen-40 mesh	1"
11809	Screen-80 mesh	1"
11810	Screen-20 mesh	1/2", 3/4"
11811	Screen-40 mesh	1/2", 3/4"
11812	Screen-80 mesh	1/2", 3/4"
11814	Bowl-Solid Plastic	1", 1-1/4", 1-1/2"
11815	Bowl-Solid Plastic	1/2", 3/4"
13245	Cap	1-1/4"
14214	Screen-20 mesh	1-1/4"
14379	Bowl-Clear plastic	1/2", 3/4"
14380	Bowl-Clear plastic	1", 1-1/4", 1-1/2"
15929	Oring-BunaN	1/4", 3/8"
15930	Screen-20 mesh	1/4", 3/8"
15931	Cap	1/4"
15932	Bowl-Solid plastic	1/4", 3/8"
16126	Screen-20 mesh	1-1/2"
18240	Cap	1-1/2"

**ALL DIMENSIONS (IN INCHES)**



A WICOR COMPANY

**MARINE PRODUCTS GROUP**

375 Fifth Avenue NW • New Brighton, MN 55112-3288  
 Phone: (651) 766-6300 • 800-471-0460 • Fax: 800-672-7023

[www.hypropumps.com](http://www.hypropumps.com)